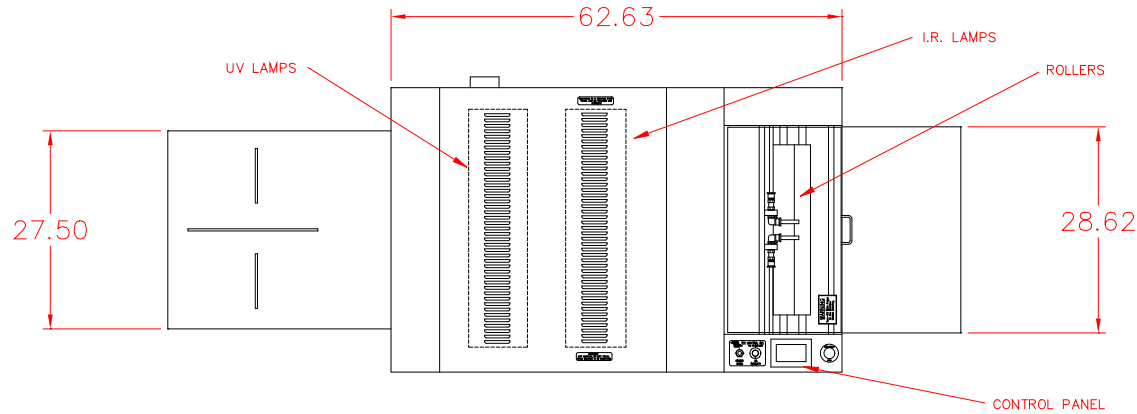
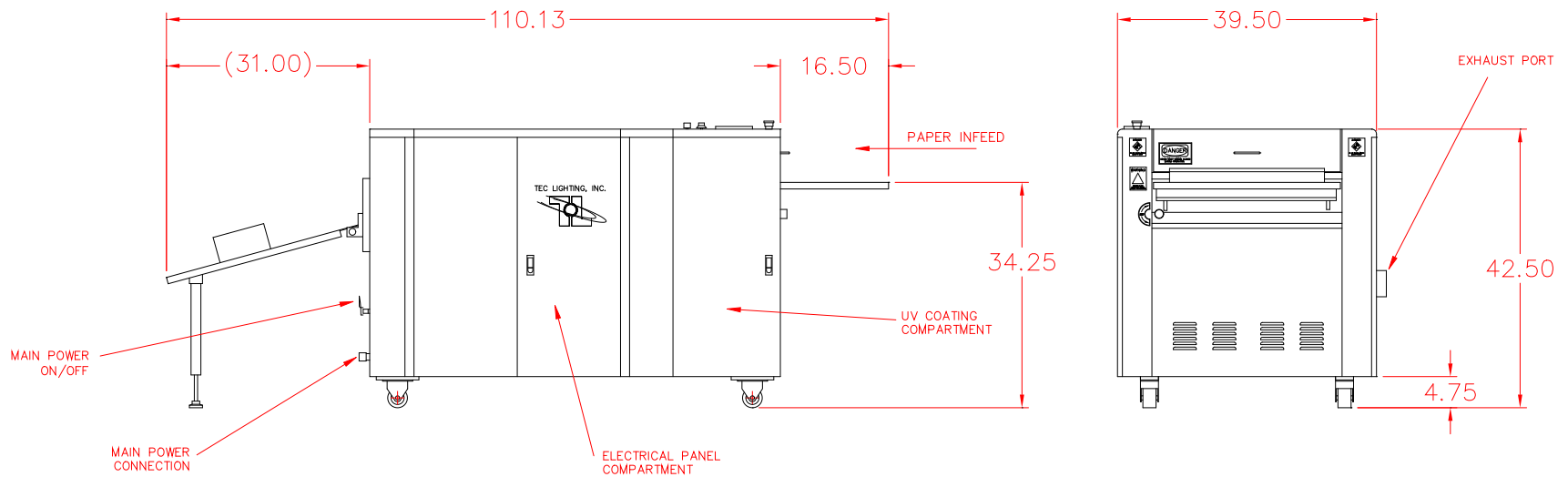


REV	DESCRIPTION	DATE
A	UPDATED	01/12



- 1) POWER REQUIREMENT:  
208-220VAC 60HZ 1PH 35A.  
SERVICE DISCONNECTION: 50A.
- 2) PAPER SIZE: MAX. 21"



OUTLINE DRAWING

**TEC LIGHTING, INC** 905 MARINER ST., BREAA, CA 92821  
PH: 714-529-5068 FAX: 714-529-0344

CONFIDENTIAL. THE TECHNICAL AND DESIGN DATA DISCLOSED HEREIN CONSTITUTE PROPRIETARY INFORMATION OF TEC LIGHTING, INC. AND ARE TO BE MAINTAINED IN STRICT CONFIDENCE BY THE RECIPIENT HEREOF SO LONG AS AND TO THE EXTENT THAT SUCH INFORMATION AND DATA REMAIN UNPUBLISHED.

UNLESS OTHERWISE SPECIFIED TOLERANCE ARE:		SYSTEM MODEL NO.: TRUV-21D		DESCRIPTION: TRUV-21D, TRU COATER 208-220VAC, 60HZ 1PH	
INCH DECIMAL .XXX ±.010 .XX ±.030		APPROVALS		DATE:	
ANGLE ±1/2°		DRAWN A.BELTRAN		01/10/11	
FRACTIONAL ±1/32		ENGR. A.BELTRAN		01/10/11	
DO NOT SCALE DRAWING		APPR		SIZE D DRAWING NO. TRUV-21D A	
		SCALE: 1/8"=1"		FILE NO. SHEET NO. 1 of 1	